

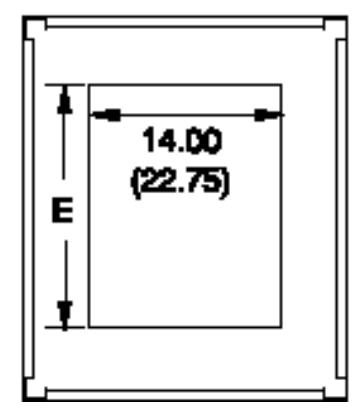
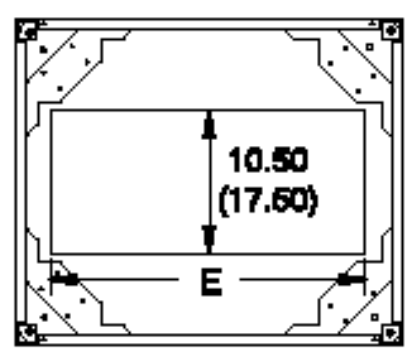
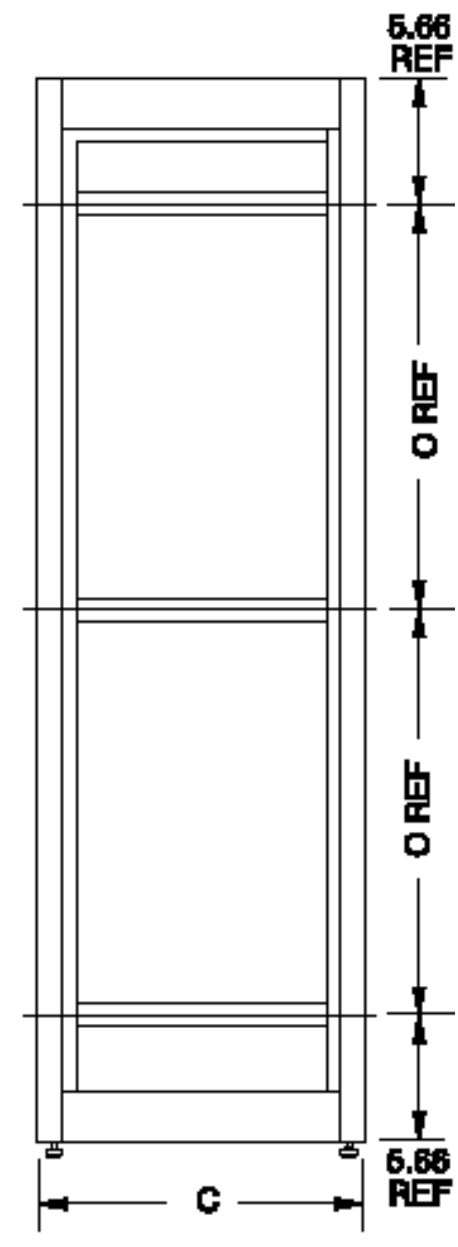
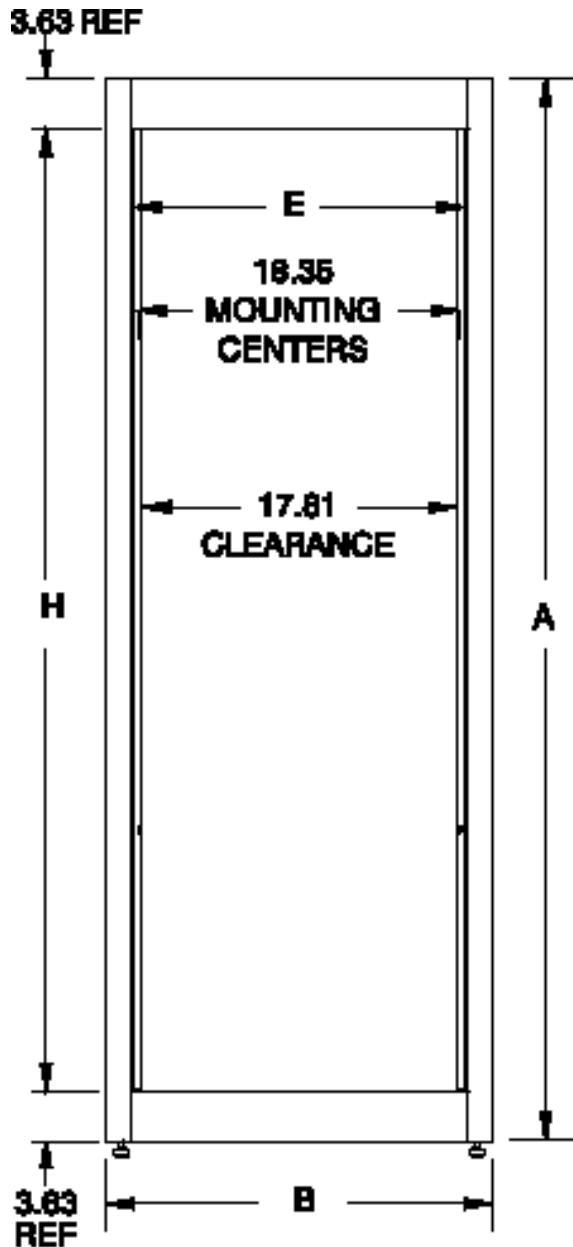
Welded - Assembled "Contempra" Rack Cabinets (C2RR Series) - *Rapid Rack*

Path: [Home](#) > [Rack Index](#) > Welded - Assembled - *Rapid Rack* Cabinets (C2RR Series)



Features:

- Heavy duty - welded rack (1,500 lb even load rating)...
- Standard 19" panel width (23" overall)...
- Choice of two stock depths:
 1. usable depth of 21.63" (23.63" overall)
 2. usable depth of 29.50" (31.50" overall)
- Unit is shipped complete (NO ASSEMBLY REQUIRED) with removable side panels (1/4 turn latches), 4 infinitely adjustable - combination rack mount rails (Full EIA hole centers - 5/8 - 5/8 - 1/2 inch spacing), one solid flush mount door, solid top and 4 leveling feet...
- Heavy duty: 14 gauge steel frame, 16 gauge side panels.
- Rails are made of 10 gauge zinc plated steel...
- Recommended maximum weight (C2F247836 tested) - 1,500 pounds...
- Finished in a rugged, textured powder paint finish...
- See frame [accessories below](#).



23.63" Deep models:
Usable Depth = 21.63"

| Part Number | Color | Drawing File Size | AutoCAD .dxf File (zipped) | .zip File Size | Panel Height | | Overall Dimensions | | | | Wt. lbs. |
|--|-------------------------|-------------------|----------------------------|----------------|--------------|-------|--------------------|----|-------|-------|----------|
| | | | | | Inches | Units | A | B | C | H | |
| C2RR194223BK1 C2RR194223CG1 | Black Gray/ Beige | 68K | | 52K | 42 | 24 | 49.31 | 23 | 23.63 | 42.06 | 205 |
| C2RR196323BK1 C2RR196323CG1 | Black Gray/ Beige | 68K | | 52K | 63 | 36 | 70.31 | 23 | 23.63 | 63.06 | 260 |
| C2RR197023BK1 C2RR197023CG1 | Black Gray/ Beige | 68K | | 52K | 70 | 40 | 77.31 | 23 | 23.63 | 70.06 | 295 |
| C2RR197823BK1 C2RR197823CG1 | Black Gray/ Beige | 68K | | 52K | 78.75 | 45 | 86.06 | 23 | 23.63 | 78.81 | 330 |

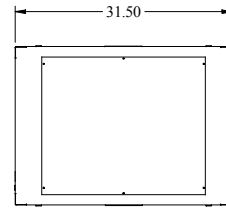
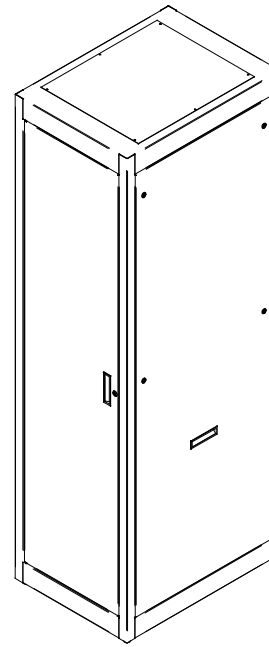
31.5" Deep models:

Usable Depth = 29.50"

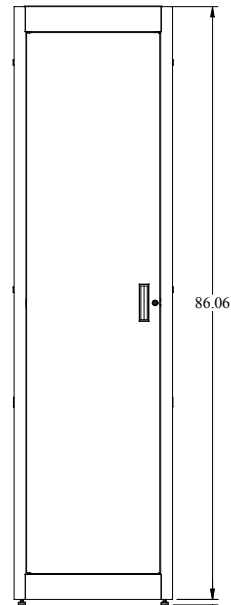
| Part Number | Color | Drawing File Size | AutoCAD .dxf File (zipped) | .zip File Size | Panel Height | | Overall Dimensions | | | | Wt. lbs. |
|--|-------------------------|-------------------|----------------------------|----------------|--------------|-------|--------------------|----|------|-------|----------|
| | | | | | Inches | Units | A | B | C | H | |
| C2RR194231BK1 C2RR194231CG1 | Black Gray/ Beige | 68K | | 52K | 42 | 24 | 49.31 | 23 | 31.5 | 42.06 | 218 |
| C2RR196331BK1 C2RR196331CG1 | Black Gray/ Beige | 68K | | 52K | 63 | 36 | 70.31 | 23 | 31.5 | 63.06 | 280 |
| C2RR197031BK1 C2RR197031CG1 | Black Gray/ Beige | 68K | | 52K | 70 | 40 | 77.31 | 23 | 31.5 | 70.06 | 315 |
| C2RR197831BK1 C2RR197831CG1 | Black Gray/ Beige | 68K | | 52K | 78.75 | 45 | 86.06 | 23 | 31.5 | 78.81 | 355 |



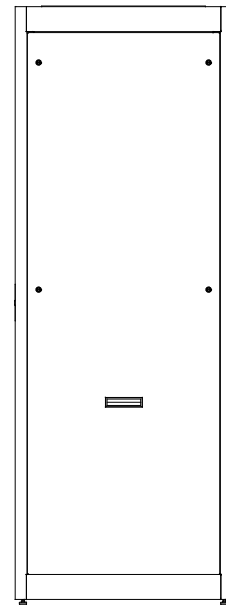
PART No. C2RR197831



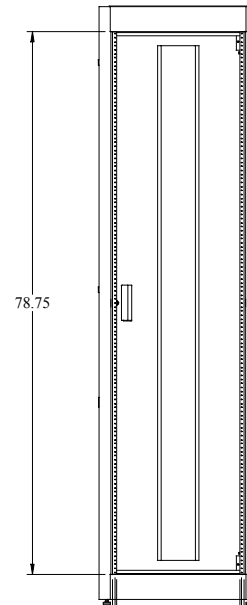
TOP VIEW



FRONT VIEW

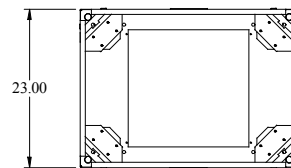


RIGHT SIDE VIEW



BACK VIEW

.77
REF



BOTTOM VIEW

LAN/DATA - Rapid Rack (C2RR Series)



**RAPID RACK
POPULAR CONFIGURATIONS**

FEATURES

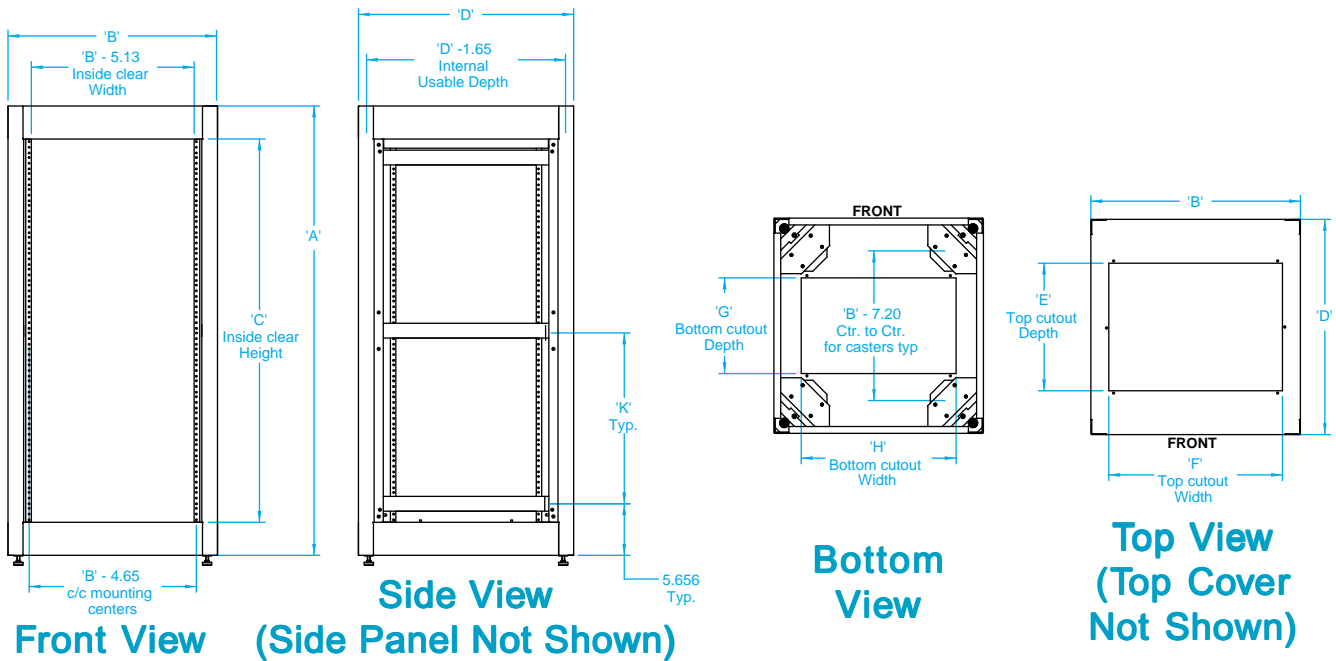
- Pre-configured especially for LAN/DATA use
- Unit is shipped complete (**NO ASSEMBLY REQUIRED**)
- Choice of two depths (23.6" or 31.5" usable depth)
- Heavy duty - Recommended maximum weight (C2F247836 tested) - 1,500 pounds
- Standard 19" (23" overall width) or 24" (28" overall width) panel width
- 24" rack mount versions can be converted to 19" rack mount by using our part number **CAK1924** (page 60) adapter kit (this method allows for extra internal wiring room around panel mounted equipment).
- **Unit includes:**
 - two removable side panels (with 1/4 turn latches)
 - four infinitely adjustable, tapped combination rack mount rails (full E.I.A. spacing)
 - one plexi glass flush mount front door (locking with 2 keys)
 - one louvered flush mount rear door (locking with 2 keys)
 - vented top with 4 cable entry holes and removable hole covers
 - four leveling feet
- Heavy duty 14 gauge steel frame
- Formed 16 gauge steel side panels are recessed to fit flush with the sides of the cabinet
- Opening in bottom for cable entry
- Panel rails are zinc plated, 10 gauge steel, drilled and tapped 10-32
- Finished in a rugged, textured powder paint



Assembled

Welded

LAN/DATA - Rapid Rack (C2RR Series)



19" Rack Mount Versions

23.63" Deep (Usable Depth = 21.63")

| Part Number | | Dimensions (Inches) | | | | | | | | | |
|----------------|----------------|---------------------|-------|---------|-------|-------|------------|-------|---------------|-------|---------------|
| | | Panel Height | | Overall | | | Top Cutout | | Bottom Cutout | | Strut Spacing |
| | | | | Height | Width | Depth | Depth | Width | Depth | Width | |
| Black Textured | Beige Textured | C | Units | A | B | D | E | F | G | H | K |
| C2RR197023DBK1 | C2RR197023DCG1 | 70.06 | 40 | 77.31 | 23 | 23.63 | 14 | 19 | 10.5 | 17 | 33.00 |
| C2RR197823DBK1 | C2RR197823DCG1 | 78.81 | 45 | 86.06 | 23 | 23.63 | 14 | 19 | 10.5 | 17 | 37.38 |

31.5" Deep (Usable Depth = 29.5")

| Part Number | | Dimensions (Inches) | | | | | | | | | |
|----------------|----------------|---------------------|-------|---------|-------|-------|------------|-------|---------------|-------|---------------|
| | | Panel Height | | Overall | | | Top Cutout | | Bottom Cutout | | Strut Spacing |
| | | | | Height | Width | Depth | Depth | Width | Depth | Width | |
| Black Textured | Beige Textured | C | Units | A | B | D | E | F | G | H | K |
| C2RR197031DBK1 | C2RR197031DCG1 | 70.06 | 40 | 77.31 | 23 | 31.50 | 22.75 | 19 | 17.5 | 17 | 33.00 |
| C2RR197831DBK1 | C2RR197831DCG1 | 78.81 | 45 | 86.06 | 23 | 31.50 | 22.75 | 19 | 17.5 | 17 | 37.38 |

24" Rack Mount Versions

23.63" Deep (Usable Depth = 21.63")

| Part Number | | Dimensions (Inches) | | | | | | | | | |
|----------------|----------------|---------------------|-------|---------|-------|-------|------------|-------|---------------|-------|---------------|
| | | Panel Height | | Overall | | | Top Cutout | | Bottom Cutout | | Strut Spacing |
| | | | | Height | Width | Depth | Depth | Width | Depth | Width | |
| Black Textured | Beige Textured | C | Units | A | B | D | E | F | G | H | K |
| C2RR247023DBK1 | C2RR247023DCG1 | 70.06 | 40 | 77.31 | 28 | 23.63 | 14 | 24 | 10.5 | 17 | 33.00 |
| C2RR247823DBK1 | C2RR247823DCG1 | 78.81 | 45 | 86.06 | 28 | 23.63 | 14 | 24 | 10.5 | 17 | 37.38 |

31.5" Deep (Usable Depth = 29.5")

| Part Number | | Dimensions (Inches) | | | | | | | | | |
|----------------|----------------|---------------------|-------|---------|-------|-------|------------|-------|---------------|-------|---------------|
| | | Panel Height | | Overall | | | Top Cutout | | Bottom Cutout | | Strut Spacing |
| | | | | Height | Width | Depth | Depth | Width | Depth | Width | |
| Black Textured | Beige Textured | C | Units | A | B | D | E | F | G | H | K |
| C2RR247031DBK1 | C2RR247031DCG1 | 70.06 | 40 | 77.31 | 28 | 31.50 | 22.75 | 24 | 17.5 | 17 | 33.00 |
| C2RR247831DBK1 | C2RR247831DCG1 | 78.81 | 45 | 86.06 | 28 | 31.50 | 22.75 | 24 | 17.5 | 17 | 37.38 |

Assembled

Welded

